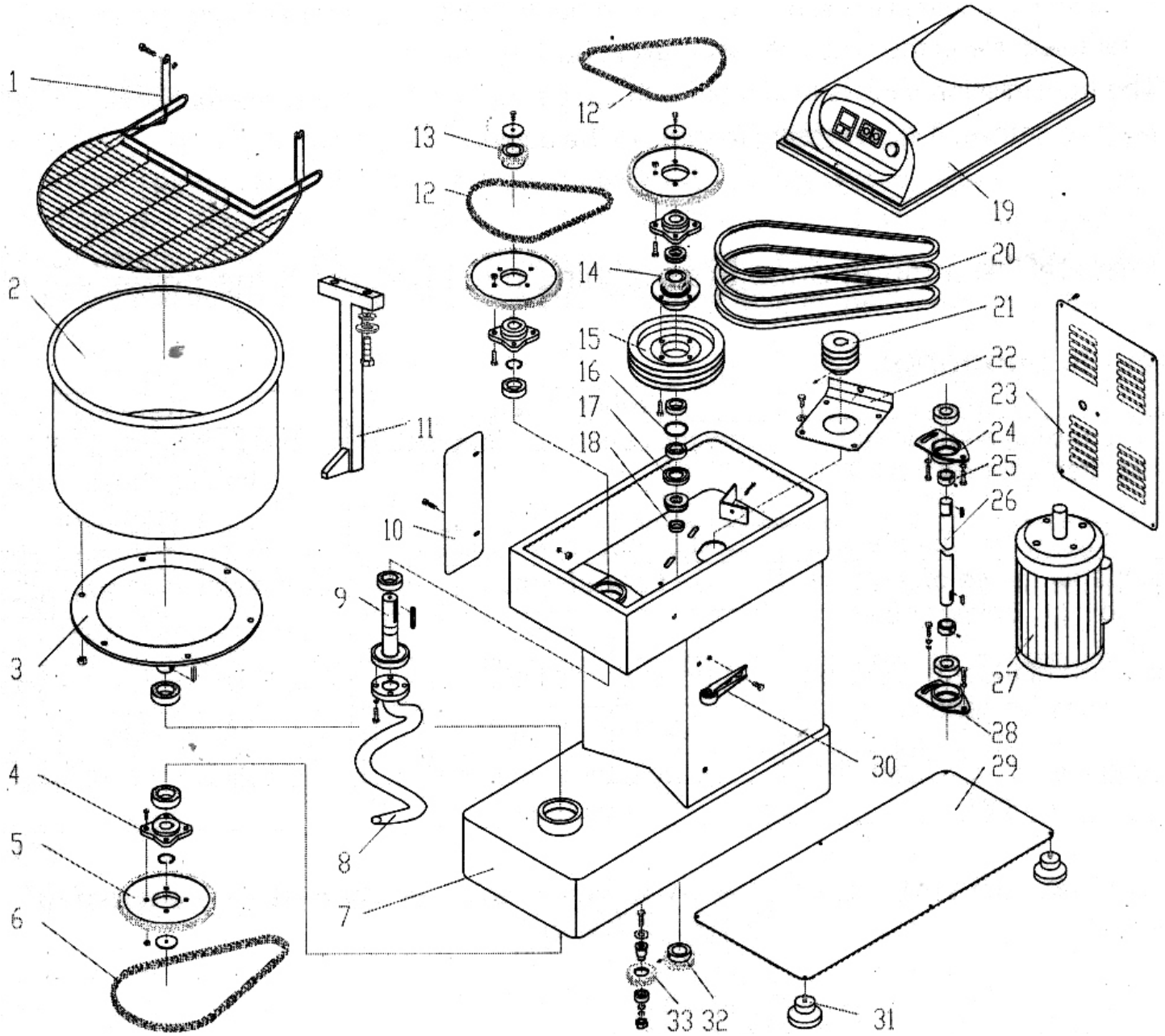


# Parts Breakdown

Model MX-CN-0053 19196





# Parts Breakdown

## Model MX-CN-0053 19196

| Item No. | Description                       | Position | Item No. | Description                   | Position | Item No. | Description                           | Position |
|----------|-----------------------------------|----------|----------|-------------------------------|----------|----------|---------------------------------------|----------|
| 76996    | Protective Casing for 19196       | 1        | 77008    | Chain Pulley Z = 19 for 19196 | 13       | 77020    | Locking Ring for 19196                | 25       |
| 76997    | Bowl for 19196                    | 2        | 77009    | Chain Pulley Z = 19 for 19196 | 14       | 77021    | Transmission Shaft for 19196          | 26       |
| 76998    | Bowl Support for 19196            | 3        | 77010    | Big Belt Pulley for 19196     | 15       | 77022    | Motor for 19196                       | 27       |
| 76999    | Chain Seat for 19196              | 4        | 77011    | Washer for 19196              | 16       | 77023    | Bearing Seat for 19196                | 28       |
| 77000    | Big Chain Pulley Z = 75 for 19196 | 5        | 77012    | Washer for 19196              | 17       | 77024    | Bottom Plate for 19196                | 29       |
| 77001    | Chain for 19196                   | 6        | 77013    | Washer for 19196              | 18       | 77025    | Guiding Wheel for 19196               | 30       |
| 77002    | Frame for 19196                   | 7        | 77014    | Top Cover for 19196           | 19       | 77026    | Rubber Foot for 19196                 | 31       |
| 77003    | Dough Arm for 19196               | 8        | 77015    | Belt for 19196                | 20       | 77027    | Bottom Pulley Z = 19 for 19196        | 32       |
| 77004    | Shaft for 19196                   | 9        | 77016    | Small Belt Pulley for 19196   | 21       | 77028    | Tension Pulley Z = 19 for 19196       | 33       |
| 77005    | Protective Plate for 19196        | 10       | 77017    | Motor Fixed Plate for 19196   | 22       | 27948    | Push-Lock Turn-Reset Switch for 19196 |          |
| 77006    | Center Rod for 19196              | 11       | 77018    | Back Cover for 19196          | 23       | 27945    | Micro Computer Controller for 19196   |          |
| 77007    | Chain for 19196                   | 12       | 77019    | Bearing Seat for 19196        | 24       |          |                                       |          |